

# SOUNDTRAXX

## Application Note

### SoundTraxx CurrentKeeper™ Tsunami® TSU-1000 Installation Notes

#### Overview

This application note describes how to install a CurrentKeeper onto a Tsunami TSU-1000 Digital Sound Decoder™.

#### Bill of Materials

P.N.	Description
810140	TSU-1000 Digital Sound Decoder CurrentKeeper

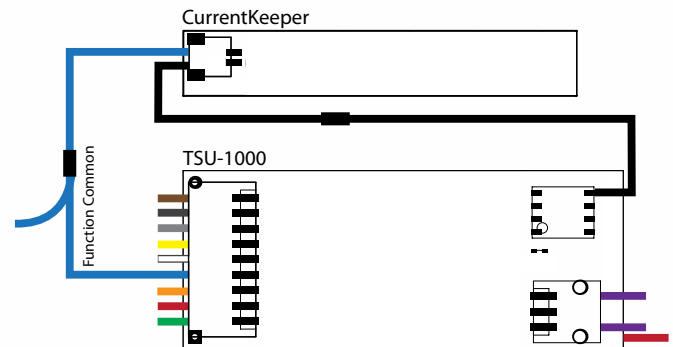
#### Tools You Will Need

- 25W Soldering Iron
- Rosin Core Solder
- Wire Strippers
- Wire Cutters
- Heat Gun or Blow Dryer

#### Installation

1. Using wire cutters, remove the factory-installed capacitor from the Tsunami TSU-1000 Digital Sound Decoder by clipping the red and black wires, leaving about 3" of the black capacitor wire still attached to the decoder. The red capacitor wire may be removed and discarded.
2. Prepare the CurrentKeeper for installation: Using wire cutters, trim the blue and black wires to about 3".

#### Wiring Diagram



3. Strip and tin the ends of the wires on the CurrentKeeper, as well as the Tsunami's black wire from the capacitor removed in Step 2 and the Tsunami's blue wire (Function Common).
4. Slide a piece of the black heat-shrink tubing (included) over each of the CurrentKeeper's wires. Solder the blue CurrentKeeper wire to the blue decoder wire and the black CurrentKeeper wire to the black decoder capacitor wire. Slide the pieces of heat-shrink tubing over the connections and heat to insulate. **Note:** Make sure you are soldering to the black capacitor wire remaining from Step 1 and not the decoder's black wire for rail pickups.
5. Secure in place with Kapton® tape (or equivalent) if desired.

**Note:** Once placed on the track, it will take about 2 minutes for the CurrentKeeper to be fully charged.