

# SOUNDTRAXX

## Application Note

### SoundTraxx CurrentKeeper™ Tsunami® TSU-750 Installation Notes

#### Overview

This application note describes how to install a CurrentKeeper onto a Tsunami TSU-750 Digital Sound Decoder™.

#### Bill of Materials

P.N.	Description
810140	TSU-750 Digital Sound Decoder CurrentKeeper

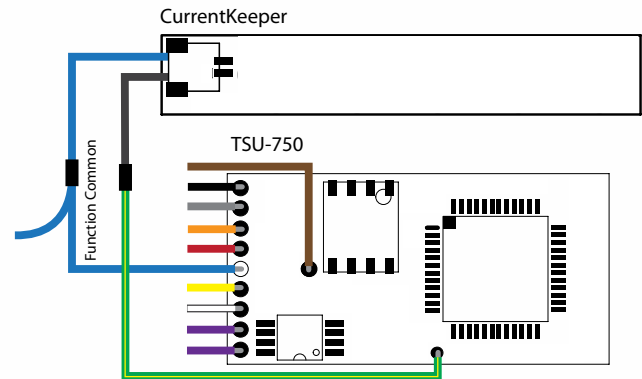
#### Tools You Will Need

- 25W Soldering Iron
- Rosin Core Solder
- Wire Strippers
- Wire Cutters
- Heat Gun or Blow Dryer

#### Installation

1. Prepare the CurrentKeeper for installation: Using wire cutters, trim the blue and black wires to about 3".
2. Strip and tin the ends of the CurrentKeeper's wires as well as the Tsunami's blue (Function Common) and yellow-striped green wires.

#### Wiring Diagram



3. Slide a piece of the black heat-shrink tubing (included) over each of the CurrentKeeper's wires. Solder the blue CurrentKeeper wire to the blue decoder wire and the black CurrentKeeper wire to the yellow-striped green decoder wire. Slide the pieces of heat-shrink tubing over the connections and heat to insulate.
5. Secure in place with Kapton® tape (or equivalent) if desired.

**Note:** Once placed on the track, it will take about 2 minutes for the CurrentKeeper to be fully charged.