

Athearn RTR Rotary Snow Plow Recommended CVs

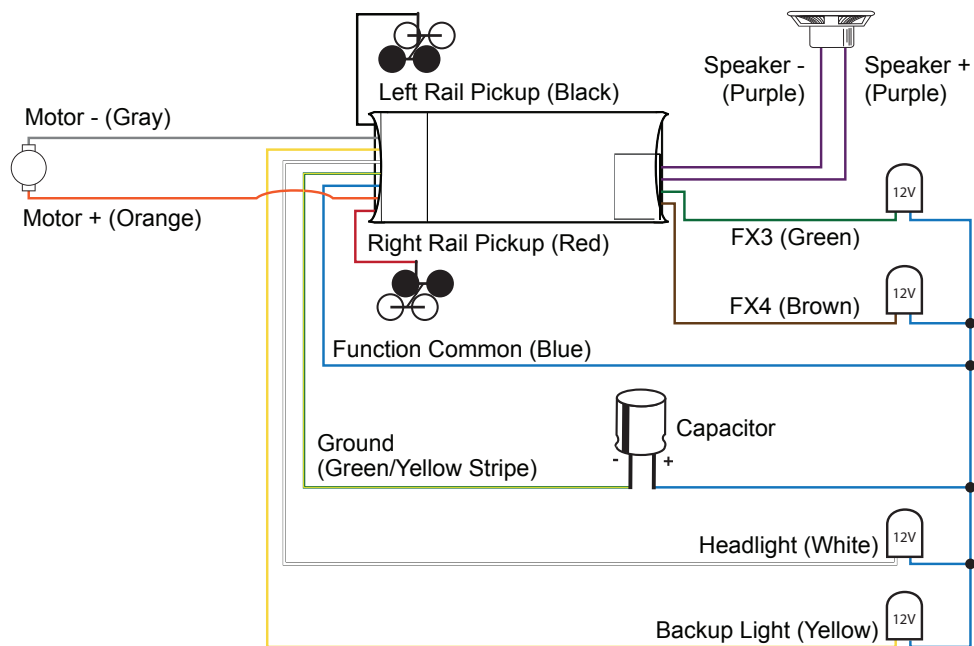
Tsunami² TSU-1100upgrade

Configuration Variable Values Changed from Aftermarket Default

CV	Description	Value	CV	Description	Value
3	Baseline Acceleration Rate	45	122	Bell Select, Steel Air Rung Bell	48
4	Baseline Deceleration Rate	100	123	Exhaust Select: Geared	9
112	Sound Configuration 1: Oil burner, 3 Cylinder Chuff	22	124	Airpump Select: Wst Side Shay	2
114	Engine Exhaust Control	175			
120	Whistle Select, Peanut	58			

Function Number	Effect Assigned	Function Number	Effect Assigned
F0	Front Headlights and Dynamo	F15	Wheel Chains
F1	Bell	F16	Water Stop
F2	Whistle	F17	Fuel Loading
F3	Short Whistle	F18	Ash Dump
F4	Cylinder Cocks	F19	Wheel Slip
F5	Cutoff+	F20	Injectors
F6	Cutoff-	F21	Sander Valve
F7	Dimmer	F22	Cab Chatter
F8	Mute	F23	All Aboard/Coach Doors
F9	Grade Crossing Signal	F24	FX3 Not used
F10	Blowdown	F25	FX4 Not used
F11	Brake Squeal & Release	F26	
F12	Brake Select	F27	
F13	Coupler & Uncouple	F28	
F14			

Replacement Tsunami2, TSU-1100 Steam-2, Digital Sound Decoder:



Note: These CVs were selected by our Customer Support Center to match the locomotive. If your personal taste does not match these selections or the Tsunami2 defaults you can always change the CV to match your liking.

The blade is controlled with throttle settings just as a regular locomotive would be operated