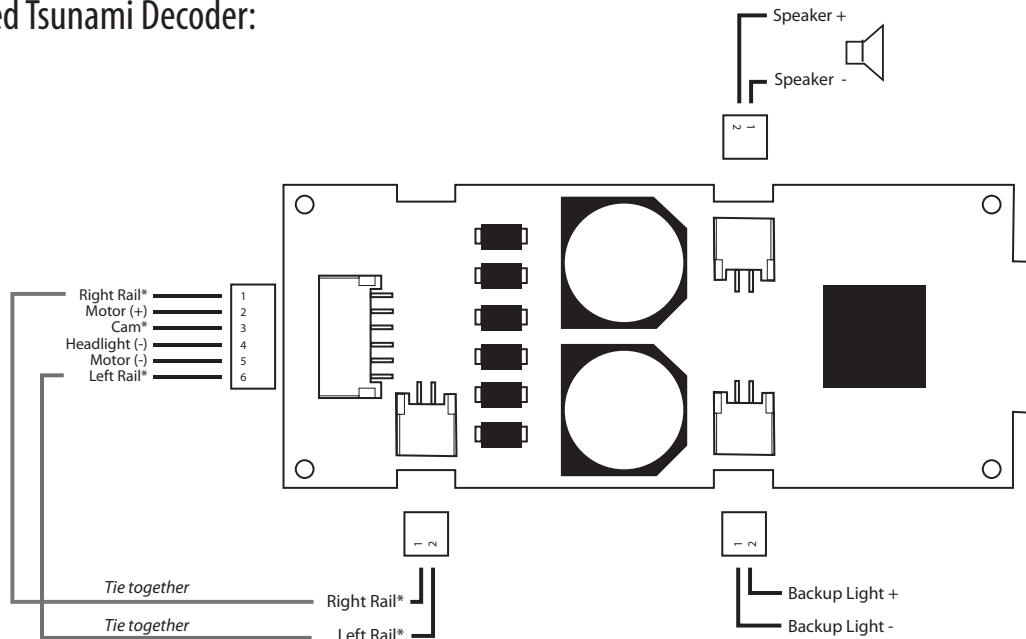


Blackstone Models C-19 Wiring Diagrams

Tsunami² TSU-1100 upgrade

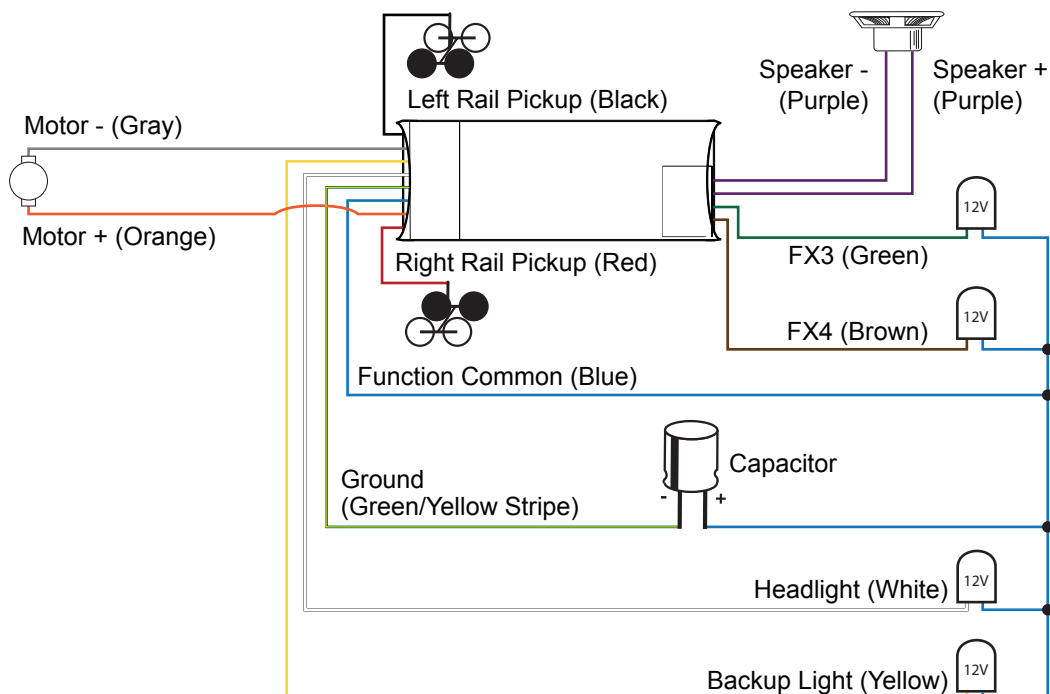
Factory Installed Tsunami Decoder:



Note:

Right Rail pickup ties in with the right rail pickup from the locomotive (Pin 1 from tender harness to Pin 1 from tender truck harness).
 A cam is not needed for Tsunami2 Decoders.
 Left Rail pickup ties in with the left rail pickup from the locomotive (Pin 6 from tender harness to Pin 2 from tender truck harness).

Replacement Tsunami², TSU-1100 Steam-2, Digital Sound Decoder:



Note:

The Backup Light (Yellow), FX3 (Green), and FX4 (Brown) wires will not be needed in this installation. Trim them short, insulate the ends, and tape them back to the decoder.