

Blackstone Models K-27 Recommended CVs

Tsunami2™ TSU-1100 upgrade

Configuration Variable Values common among Blackstone Models C-19 Locomotives

CV	Description	Value	CV	Description	Value	CV	Description	Value
3	Baseline Acceleration Rate	65	114	Engine Exhaust Control	60	125	Dynamo Select	0
4	Baseline Deceleration Rate	75	117	Independent Brake Rate	175	126	Coupler Select	0
49	Headlight Configuration	143	118	Train Brake Rate	145	128	Master Volume	175
50	Backup Light Configuration	0	122	Bell Select	5	225	Equalizer Control Register	1
64	Master Brightness	175	123	Exhaust Select	1			
112	Sound Configuration 1	4	124	Airpump Select	0			

Configuration Variable Values unique to Blackstone Models Russian Iron Locomotives

CV	Description	Value	CV	Description	Value	CV	Description	Value
1	Primary Address	3	29	Configuration Data 1	6	120	Whistle Select	13

Configuration Variable Values unique to Blackstone Models Class 70 Locomotives

CV	Description	Value	CV	Description	Value	CV	Description	Value
1	Primary Address	3	29	Configuration Data 1	6	120	Whistle Select	17

Configuration Variable Values unique to Blackstone Models 40 Locomotives

CV	Description	Value	CV	Description	Value	CV	Description	Value
1	Primary Address	40	29	Configuration Data 1	6	120	Whistle Select	17

Configuration Variable Values unique to Blackstone Models 41 Locomotives

CV	Description	Value	CV	Description	Value	CV	Description	Value
1	Primary Address	41	29	Configuration Data 1	6	120	Whistle Select	13

Configuration Variable Values unique to Blackstone Models 342 Locomotives

CV	Description	Value	CV	Description	Value	CV	Description	Value
1	Primary Address	342	29	Configuration Data 1	38	120	Whistle Select	17

Configuration Variable Values unique to Blackstone Models 343 Locomotives

CV	Description	Value	CV	Description	Value	CV	Description	Value
1	Primary Address	343	29	Configuration Data 1	38	120	Whistle Select	13

Configuration Variable Values unique to Blackstone Models 345 Locomotives

CV	Description	Value	CV	Description	Value	CV	Description	Value
1	Primary Address	345	29	Configuration Data 1	38	120	Whistle Select	15

Configuration Variable Values unique to Blackstone Models 346 Locomotives

CV	Description	Value	CV	Description	Value	CV	Description	Value
1	Primary Address	3	29	Configuration Data 1	38	120	Whistle Select	15

Configuration Variable Values unique to Blackstone Models 347 Locomotives

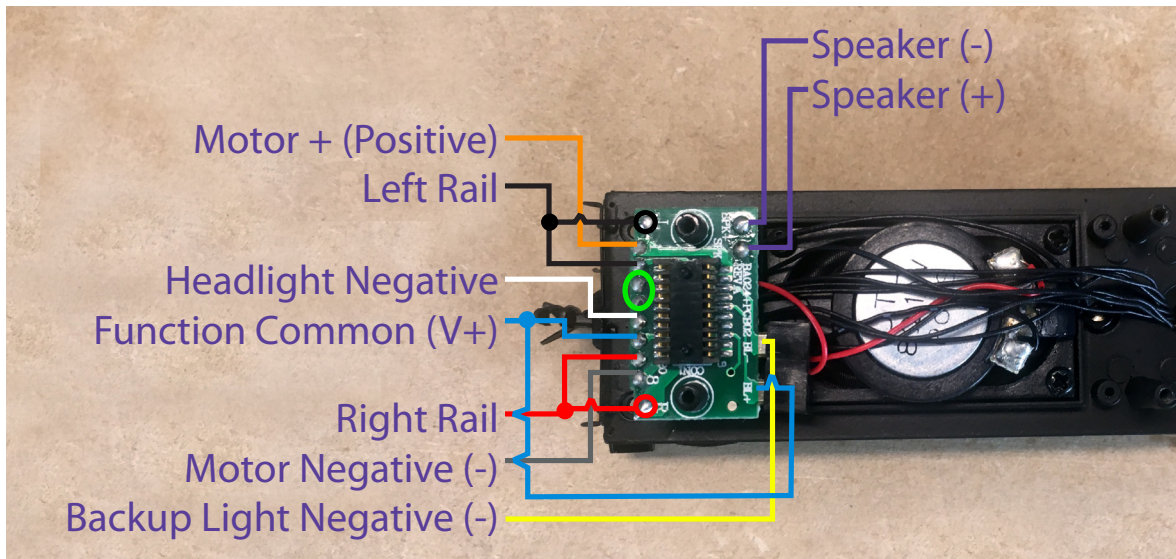
CV	Description	Value	CV	Description	Value	CV	Description	Value
1	Primary Address	3	29	Configuration Data 1	38	120	Whistle Select	13

Note: These CVs were selected by our Customer Support Center to match the locomotive. If your personal taste does not match these selections or the Tsunami2 defaults you can always change the CV to match your liking.

Blackstone Models K-27 Wiring Diagrams

Tsunami2™ TSU-1100 upgrade

Factory Installed Brake Out Board:

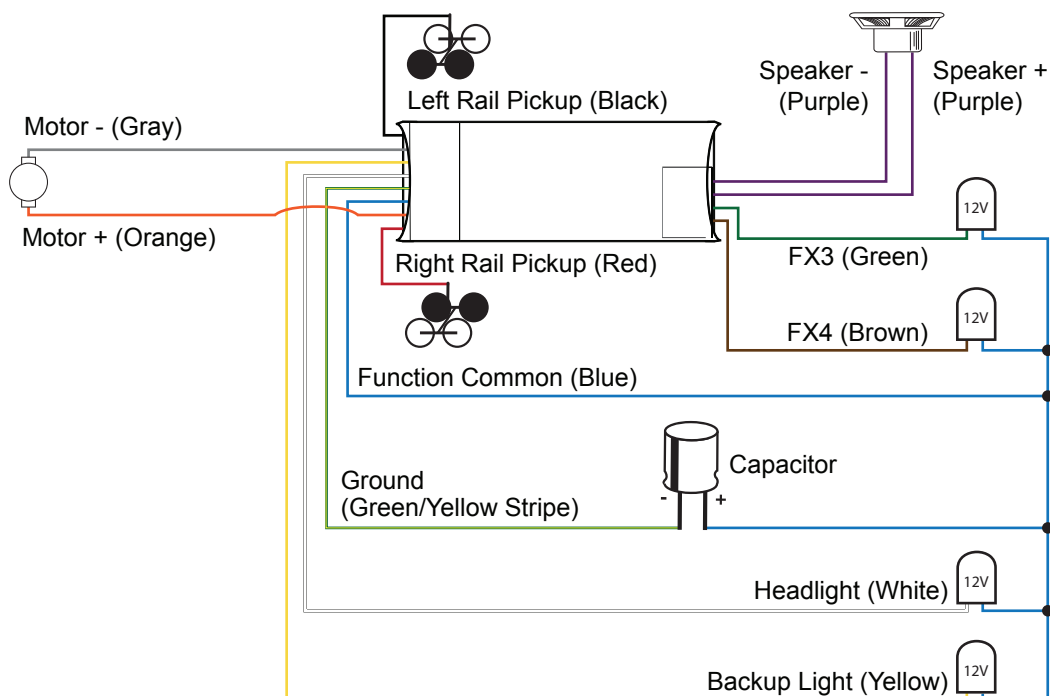


Note: Two wires will be left going to the 'opto sensor' which is essentially the cam. These wires will not be used in the installation as Tsunami2 does not need a cam to produce a synchronized chuff. Trim these wires short and insulate the ends. Where these wires connect to the brake out board is circled in green.

Both the locomotive and the tender pick up from both rails. A wire will come from each tender truck to combine with the wiring harness coming from the locomotive for the pick ups on the drivers. Those will be combined to tie into the left and right pick ups on the decoder. (Left rail is illustrated in black and the right rail in red).

The Function Common will tie in with the Backup Light (illustrated in blue).

Replacement Tsunami2, TSU-1100 Steam-2, Digital Sound Decoder:



Note: The Backup Light (Yellow), FX3 (Green), and FX4 (Brown) wires will not be needed in this installation. Trim them short, insulate the ends, and tape them back to the decoder.

A jumper will be needed on the blue wire on the TSU-1100. This can be done with the excess wire trimmed from the TSU-1100's wiring harness.

The capacitor will be replaced with a Current Keeper in this installation.