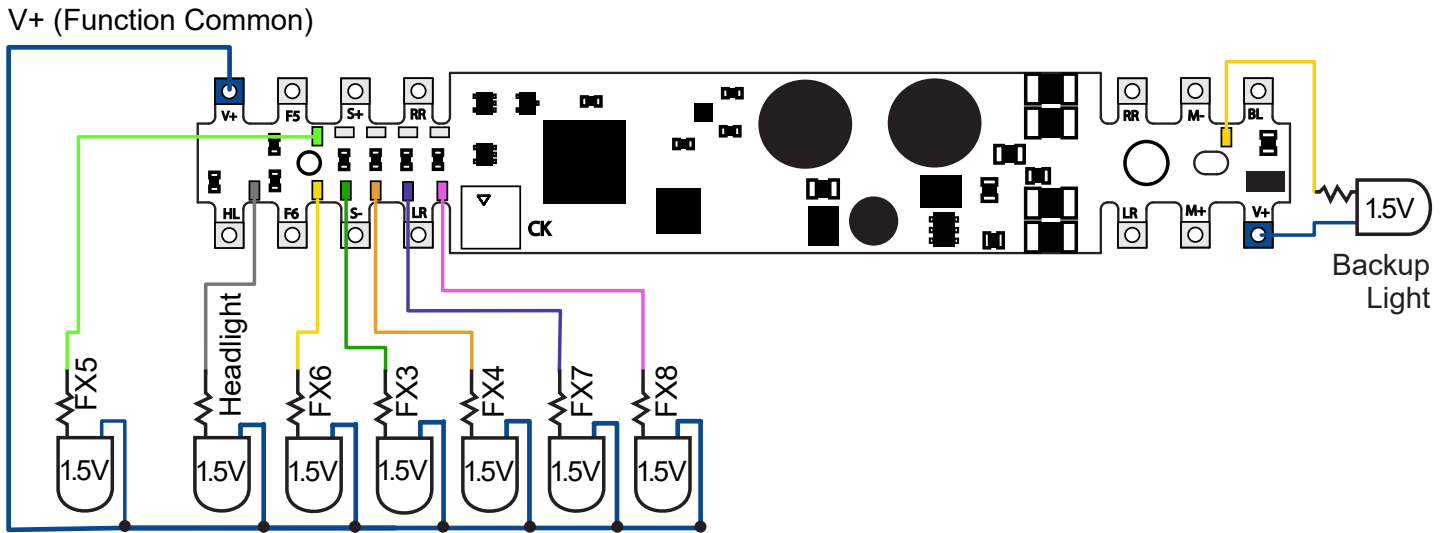


Technical Note #27

Using 1.5V Incandescent Bulbs with the Tsunami2 TSU-BH1 Digital Sound Decoder

The TSU-BH1 is a plug and play Tsunami2 Digital Sound Decoder intended as an upgrade to the HO-Scale Bachmann Diesel Sound Value locomotives.

Use the VERTICAL solder pads (shown in the wiring diagram below) for function connections when using 1.5V incandescent bulbs. The colors in this diagram are only used to clearly mark which function connection goes to which solder pad.



 Resistor

Note: Select a resistor value that is appropriate for the bulb and operating voltage.

Other Tsunami2 TSU-BH1 Lighting Wiring Diagrams:

To use 12V bulbs with the Tsunami2 TSU-BH1 refer to Technical Note 26.

To use LEDs with the Tsunami2 TSU-BH1 refer to Technical Note 28.