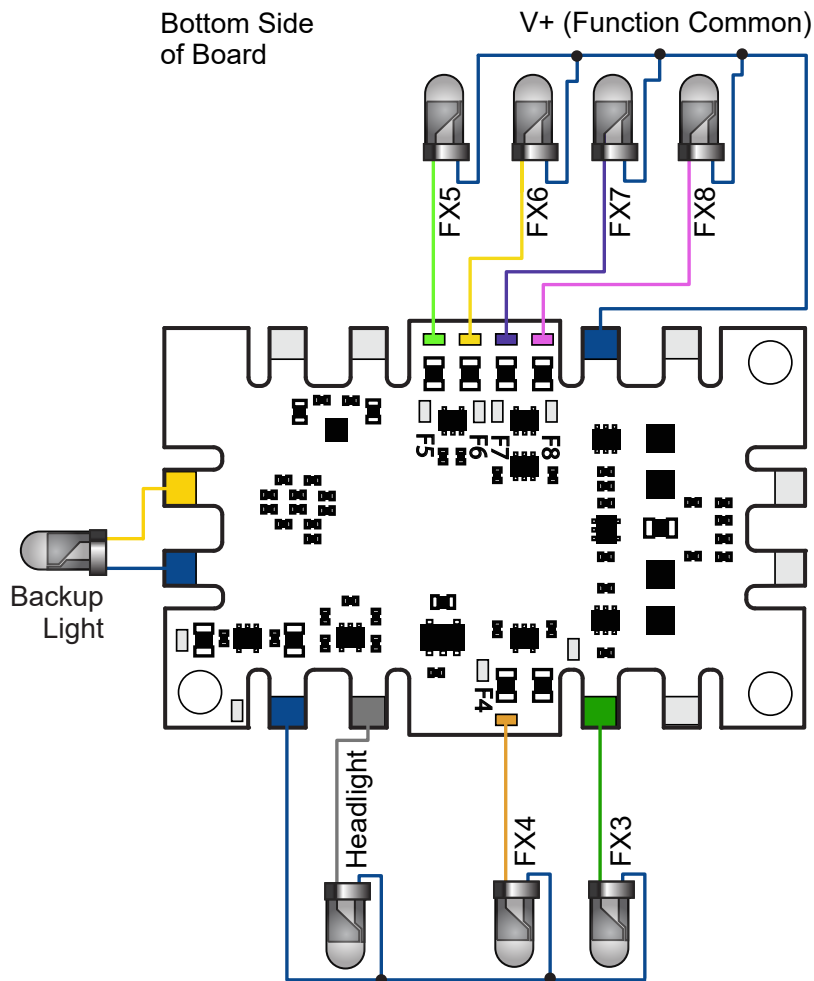


Technical Note #29

Using LEDs with the Tsunami2 TSU-BH2 Digital Sound Decoder

The TSU-BH2 is a plug and play Tsunami2 Digital Sound Decoder intended as an upgrade to HO-Scale Bachmann Steam Sound Value locomotives. The TSU-BH2 is designed with 8 LED-friendly function outputs making external resistors unnecessary when using LEDs.

Use the HORIZONTAL solder pads (shown in the wiring diagram below) for function connections when using LEDs. The colors in this diagram are only used to clearly mark which function connection goes to which solder pad.



Other Tsunami2 TSU-BH2 Lighting Wiring Diagrams:

To use 12V bulbs with the Tsunami2 TSU-BH2 refer to Technical Note 30.

To use 1.5V incandescent bulbs with the Tsunami2 TSU-BH2 refer to Technical Note 31.