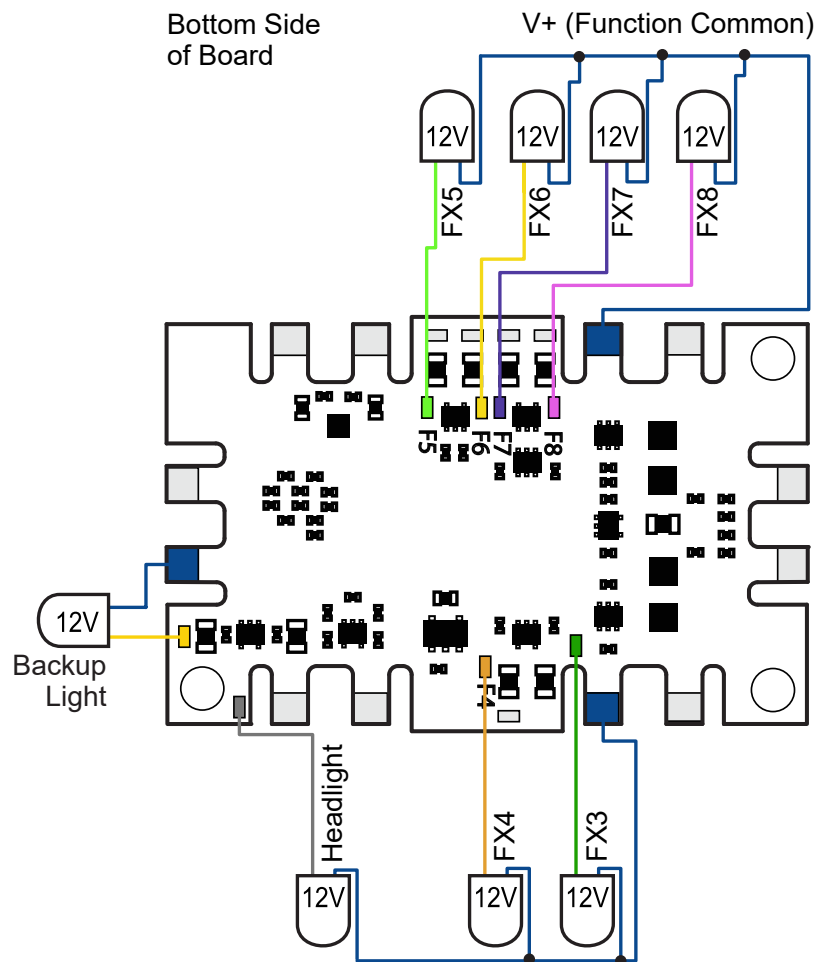


Technical Note #30

Using 12V Bulbs with the Tsunami2 TSU-BH2 Digital Sound Decoder

The TSU-BH2 is a plug and play Tsunami2 Digital Sound Decoder intended as an upgrade to the HO-Scale Bachmann Steam Sound Value locomotives. The TSU-BH2 is designed with 8 LED-friendly function outputs making external resistors unnecessary when using LEDs. Out of the package the TSU-BH2 works with 12V bulbs on the secondary (vertical) pads without the use of external resistors.

Use the VERTICAL solder pads (shown in the wiring diagram below) for function connections when using 12V bulbs. The colors in this diagram are only used to clearly mark which function connection goes to which solder pad.



Other Tsunami2 TSU-BH2 Lighting Wiring Diagrams:

To use LEDs with the Tsunami2 TSU-BH2 refer to Technical Note 29.

To use 1.5V incandescent bulbs with the Tsunami2 TSU-BH2 refer to Technical Note 31.